

Aluminum - NEMA 4X - 19" Rack Cabinets - Pole and Wall Mount

NEMACO™

Excellent Electrical Enclosures



Aluminum - Outdoor - Washdown - Weather Proof - NEMA 4/4X - 19" Rack Cabinets

- NEMA 4/4X - 3PT Latches for Total Dust, Rain, Snow & Water Washdown Resistance.
- Strong Wall Mount Bracket (Pole Mount Option) for Easy Installation

Nemaco offers Great Enclosure Features & Custom Cabinet Options.

- Standard Powder Coat Finished ANSI 61 Gray. NEMA 4X - 304 & 316 Stainless Available
- Adjustable 19" Rack Rail Slide System that Easily Fits Rackmount Equipment.
- 19" Rack Rails: Powder Coated Steel (standard), Aluminum & Stainless Steel (Options)
- 19" Rack Rails: 3/8" Sq. Hole (standard), #10-32 Tapped (Option) for all materials.
- Radiant Foam Insulation Barrier R=3.2, 0.5" thk, (R=5, 3/4" thk Option Available)
- Super Fast Customization Services (for holes, cut-outs & cables) are Available.

Custom 19" Server Rack Enclosure

Nemaco Tel. 281-251-4233			Note: Powder Coated Steel (3/8" Sq Hole) is the Standard Rack Rail System					
NemacoTech.com			Standard Powder Coat Colors - ANSI 61 Gray, White, Black, Yellow					
Rack Cabinet Part Number	Size H x W x D	EIA Rack	Wallmount Bracket	Lifting Handle	Polemount Bracket	Enclosure Material	Door Handles with 3PT Latch	Estimated Wt (Lbs)
N4-242420-RC-AL	24 x 24 x 20	12U	Yes	Yes	Option	Aluminum	304SS /Zinc	58
N4-242424-RC-AL	24 x 24 x 24	12U	Yes	Yes	Option	Aluminum	304SS /Zinc	64
N4-302424-RC-AL	30 x 24 x 24	15U	Yes	Yes	Option	Aluminum	304SS /Zinc	72
N4-362424-RC-AL	36 x 24 x 24	18U	Yes	Yes	Option	Aluminum	304SS /Zinc	80
N4-422424-RC-AL	42 x 24 x 24	21U	Yes	Yes	Option	Aluminum	304SS /Zinc	88
N4-482424-RC-AL	48 x 24 x 24	25U	Yes	Yes	Option	Aluminum	304SS /Zinc	96

• KEY FEATURES • EXCELLENT QUALITY •



Lifting Handles & Custom Footing



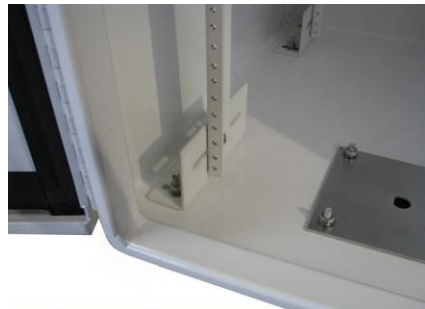
Custom Aluminum Plates (Available)



Easy Open 3 PT Latch Roller Wheels



Rugged Handle - Padlock Provision



Easy & Adjustable Rack Rails



Wall Mount Bracket (Pole Mount Option)

Aluminum - NEMA 4X - 19" Rack Cabinets - Pole and Wall Mount

NEMACO™

Excellent Electrical Enclosures

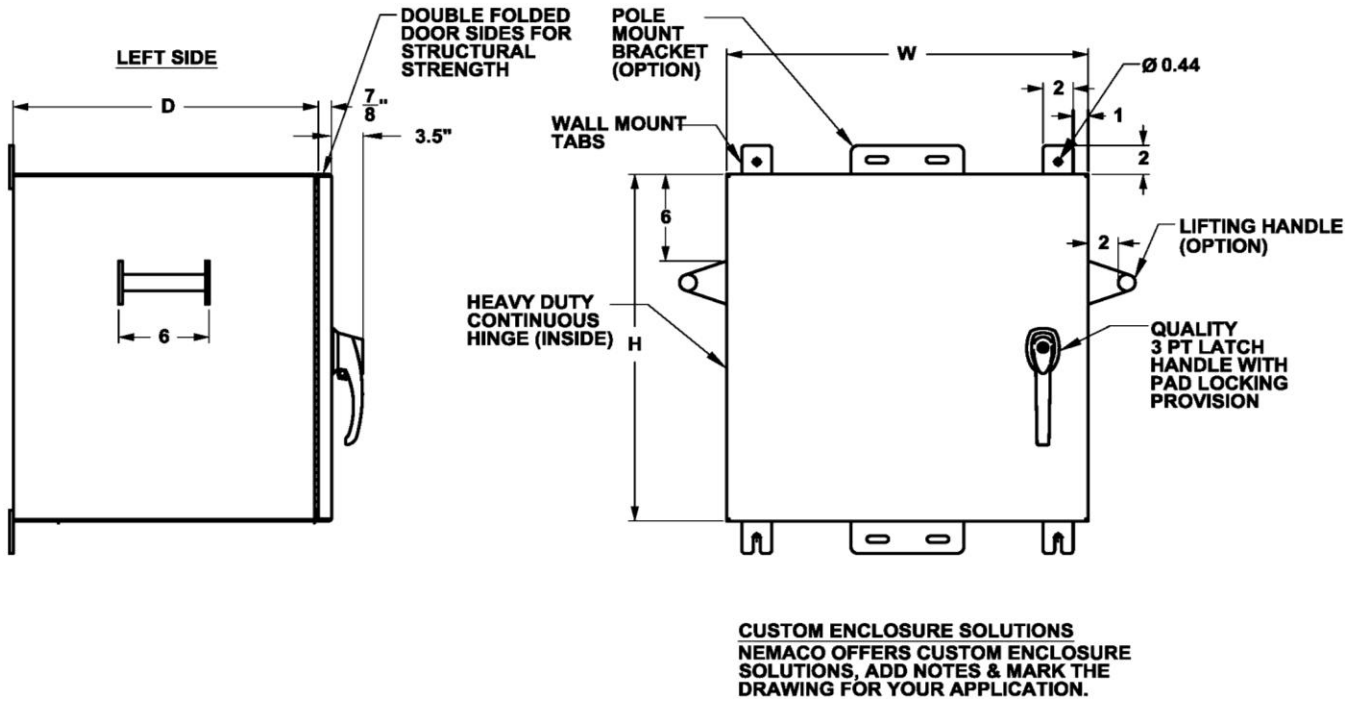


FIGURE 1 NEMACO OUTDOOR - NEMA 4 / 4X - 19" RACKMOUNT SERVER - CABINET

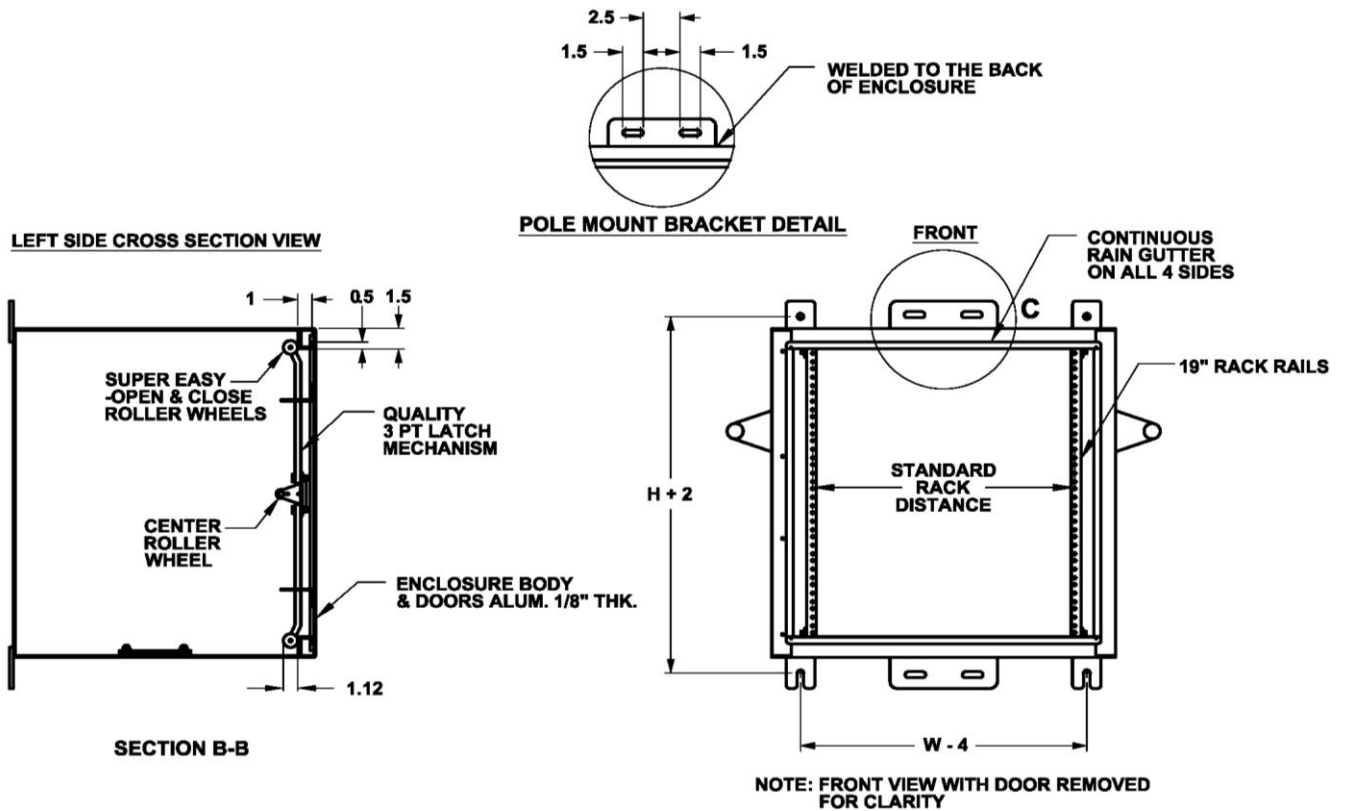


FIGURE 2 NEMA 4 / 4X - 19" RACKMOUNT SERVER - CABINET FEATURES

Aluminum - NEMA 4X - 19" Rack Cabinets - Pole and Wall Mount

NEMACO™

Excellent Electrical Enclosures

Call Nemaco for Enclosure Solutions	Quality Enclosure Solutions
NemacoTech.com	

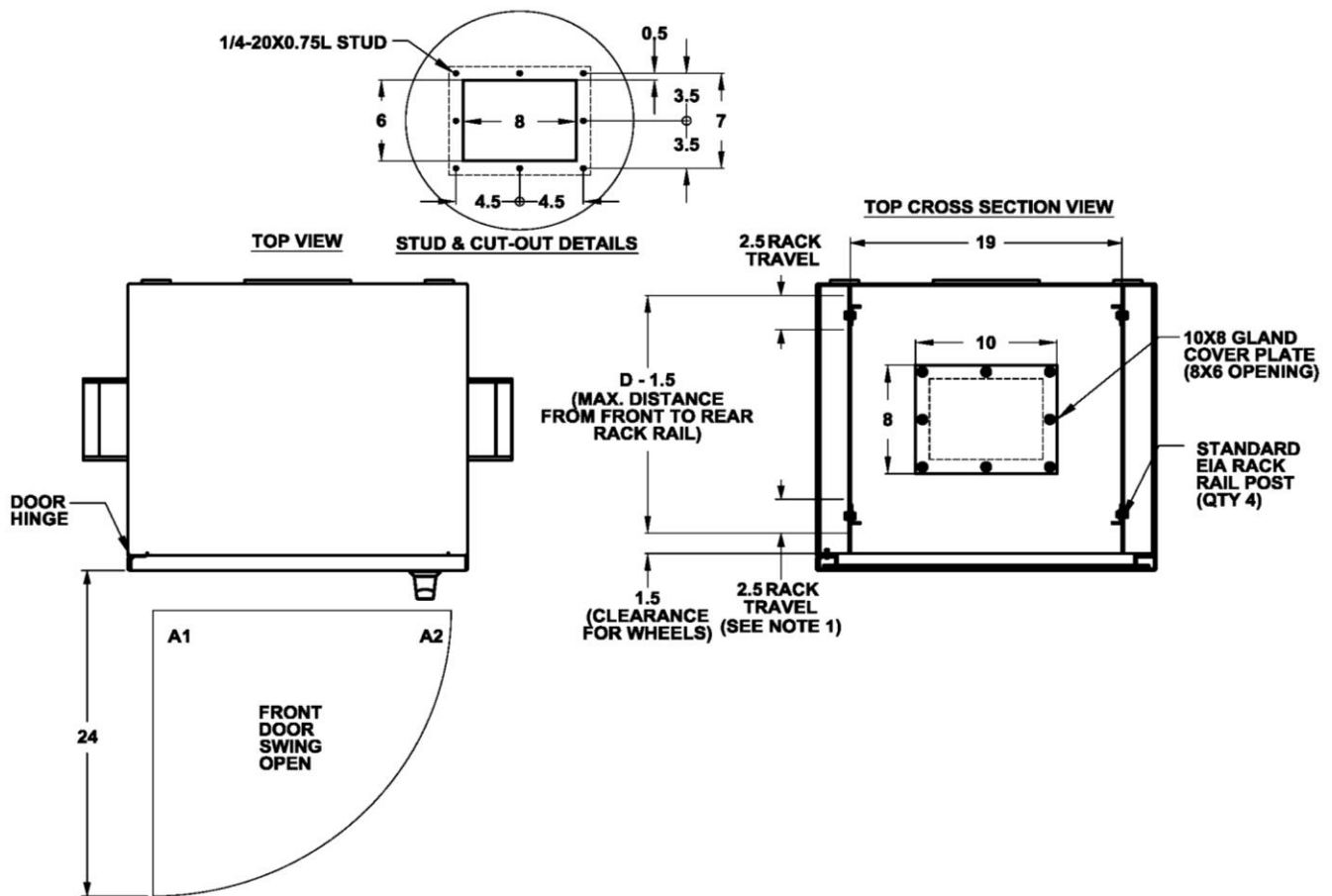


FIGURE 3 19" RACKMOUNT SERVER - DOORS, GLAND PLATE AND RACK RAILS

REMOVABLE - GLAND PLATE COVERS - OPTION			
PART#	COVER SIZE	CUT-OUT DIMENSIONS	DESCRIPTION
FP1008-PC	10"x8"	8"x6"	COVER PLATE - POWDERCOATED STEEL (12 GA)
FP1008-PCA	10"x8"	8"x6"	COVER PLATE - POWDERCOATED ALUMINUM (1/8")
FP1008-304SS	10"x8"	8"x6"	COVER PLATE - 304 STAINLESS STEEL (12 GA)
FP1008-316SS	10"x8"	8"x6"	COVER PLATE - 316 STAINLESS STEEL (12 GA)

**NOTE 1. INSULATED ENCLOSURES HAVE LESS RACK TRAVEL
CALL NEMACO FOR DETAILS**

Aluminum - NEMA 4X - 19" Rack Cabinets - Pole and Wall Mount

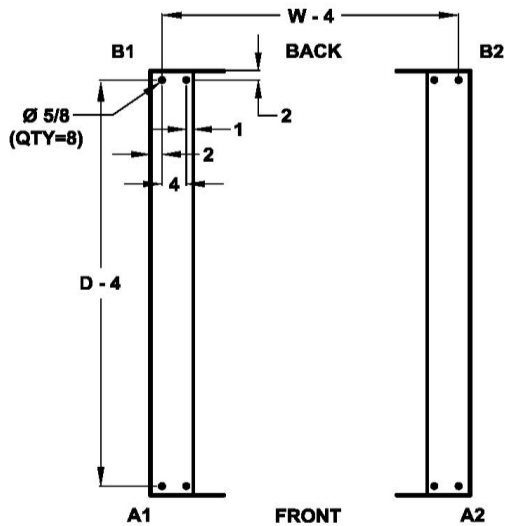
NEMACO™

Excellent Electrical Enclosures

Call Nemaco for Enclosure Solutions	Quality Enclosure Solutions
NemacoTech.com	

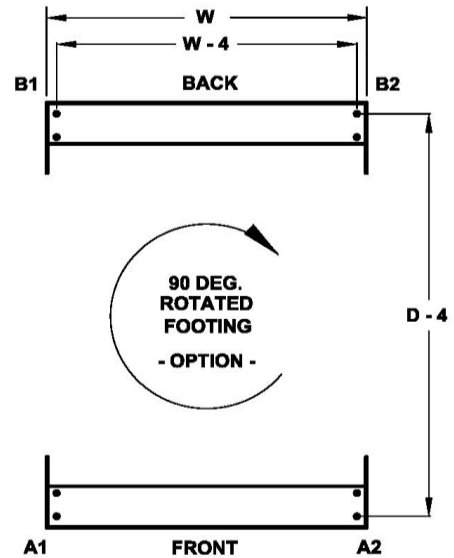
FLOORMOUNT FOOTING HEIGHT

FH-06 = 6" HEIGHT
 FH-12 = 12" HEIGHT
 FH-18 = 18" HEIGHT
 FH-24 = 24" HEIGHT



SECTION VIEW B - B
STANDARD FLOOR MOUNT FOOTING
 FLOOR MOUNT HOLE DIMENSIONS
 BOLT TO CONCRETE PAD OR TO
 STEEL STRUCTURE

CUSTOM FOOTING DESIGN
 NEMACO CAN CHANGE THE FLOOR
 MOUNT DESIGN ON REQUEST.
 SPECIFY THE REQUESTED
 CHANGES ON THIS DRAWING



90 DEG ROTATED FOOTING - OPTION
 THIS 90 DEGREE ROTATED FLOOR MOUNT
 FOOTING BASE MAY BE WIDENED IN ORDER
 TO PROVIDE EXTRA STABILITY & SUPPORT
 FOR HEAVY EQUIPMENT

FIGURE 4 FLOORMOUNT FOOTING - OPTIONS AVAILABLE

Air Conditioned - NEMA 4/4X - 19" Rack Server - Enclosures & Thermal Analysis Solutions

- Call US about assisting you with Thermal Analysis for proper sizing of Air Conditioners for Cooling.
- We offer "Smart" Air Conditioners with Remote Control Access & SCADA Ethernet Communications.
- 1,000 BTU to 20,000 BTU Air Conditioners are available with integrated heating options.

Wire Ways & Cable Trays for Electrical Wiring and Fiber Optic Cables

- Call US about assisting you with Copper Electrical Wiring / Fiber Optic Cables - Wire Ways
- We offer "Custom" Aluminum and Powder Coated Wire Ways for signal / power / fiber optic cables.

Rackmount - Server / SCADA - Enclosure & Cabinets - Solutions

- Call US about assisting you with - Custom - Stainless Steel - 19" Rackmount Enclosures & Cabinets
- We offer Aluminum, Stainless & Powder Coated Steel 19" Rack Rails for SCADA & Server Equipment